

# Seri-cut



# Cutting Oil Series

Seri-cut Liquid Light

S-C4000-LD

Seri-cut Mist Oil

S-C2000-MQL

Seri-cut Liquid

S-C500-L



Seri-cut Paste

S-C500-P

Seri-cut Spray

S-C180-V / S-C420-M

**Seri-cut Spray** ----- For making small threads, for tapping by lathe

**Seri-cut Mist Oil**----- For all type of MQL

**Seri-cut Liquid Light**--- For automated tapping oil feeding by M/C

**Seri-cut Liquid**----- For hard-to-cut material like Inconel, Titanium

**Seri-cut Paste**----- For making large threads, also effective as diluted

- Environment-friendly (97% biodegradable) !
- Chloride free and ideal for hard-to-cut material !
- The powerful effect of Nanosized Ceramics!
- The longer tool life expected !
- The highest class of stability against high temperature & chemical attack !
- Low odor !
- Even copper and brass incorruptible !

<http://kato-koki.com/>

Let's economically automate the tapping-oil brushing procedure !

model **BT30/40/50-LD180**

# Cutting Oil Dispenser

New Sale

The best suited for hard-to-cut material

- ◆ Save the labor of tapping-oil brushing procedure.  
Very effective for hard-to-cut material (BT30 - BT50 : M1 - M14).
- ◆ Very efficient and economical : 0.3 - 0.5 cc for a hole.  
( More than 360 holes can be treated per one-time replenishment.)
- ◆ An amount of residue can be easily checked through windows.
- ◆ Easy and handy replenishment by hand.



BT50-LD180

fig1  
(For M5 - M12 tapping)

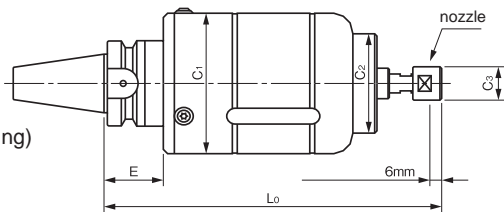


fig2  
(For M1 - M4 tapping)

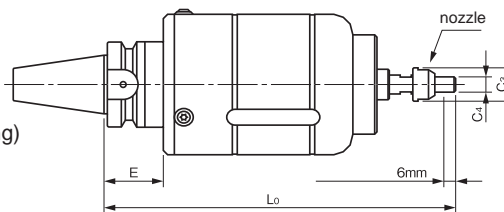


fig	MODEL	L0	E	C1	C2	C3	C4	Discharge Qty [cc]	Inner Capacity [cc]	Weight [kg]	Tapping Capacity
1	BT30-LD180	181	32	75	53	18	0	0.3~0.5	180	1.8	~M12
	BT40-LD180	195	45	75	53	18	0	0.3~0.5	180	2.8	~M12
	BT50-LD180	195	—	75	53	18	0	0.3~0.5	180	5.9	~M12
2	BT30-LD180	188.5	32	75	53	18	8	0.3~0.5	180	1.8	~M4
	BT40-LD180	202.5	45	75	53	18	8	0.3~0.5	180	2.8	~M4
	BT50-LD180	202.5	—	75	53	18	8	0.3~0.5	180	5.9	~M4

\*Seri-cut Liquid Light & Seri-cut Liquid are the best fit, highly recommended as tapping oil.



**Seri-cut Liquid Light**  
(2000ml/ 4000ml cutting-oil)

S-C 2000-LD  
S-C 4000-LD



**Seri-cut Liquid**  
(500ml cutting-oil)

S-C 500-L

Let's enjoy automatic cutting-oil supply by spray can !

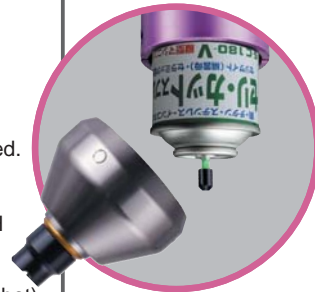
model **JSM420-T**

# Spray Can Holder

**BT50-JSM420-T**

New Sale

- ◆ For M3 - M24 tapping into steel and aluminum work material.
- ◆ Enable you to automate the tapping-oil brushing procedure by utilizing handy tapping-oil spray can.
- ◆ Discharge quantity can be adjusted by changing NC program.
- ◆ For model JSM420-T, commercial tapping-oil spray can be also used.  
( Please be careful whether you use VMC or HMC.)
- ◆ For model JSM-180-T/-R/-I, Seri-cut Spray S-C 180-V or S-C 180-H can only be used. (Pls be careful whether you use VMC or HMC.)
- ◆ -T(discharge by contact), -R(discharge by turning the spindle: one shot),  
-I (discharge by turning the spindle: continuously)



Easy Replacement !



BT50-JSM420-T

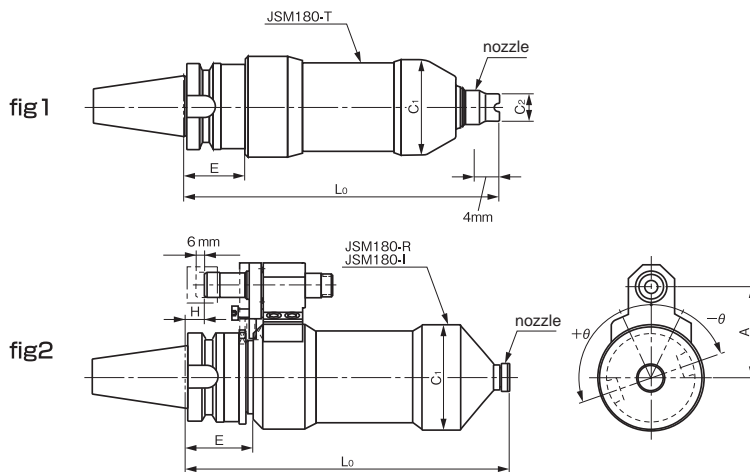


fig	MODEL	L0	E	C1	C2		H	A	θ	Matching Spray
					Regular	Wider				
1	BT30-JSM180-T	230	43	75	20	27	—	—	—	S-C180-V/H
	BT40-JSM180-T	230	45	75	20	27	—	—	—	S-C180-V/H
	BT50-JSM180-T	210	—	75	20	27	—	—	—	S-C180-V/H
	BT50-JSM420-T	275	—	88	20	27	—	—	—	S-C420-M/H
2	BT40-JSM180-R	230	38	75	—	—	-6~36	65	0~360	S-C180-V/H
	BT50-JSM180-R	240	—	75	—	—	-6~42	80	0~360	S-C180-V/H
	BT40-JSM180-I	230	38	75	—	—	-6~36	65	0~360	S-C180-V/H
	BT50-JSM180-I	240	—	75	—	—	-6~42	80	0~360	S-C180-V/H

\*Seri-cut Spray is the best fit, highly recommended as tapping-oil.



## Seri-cut Spray

(180 ml cutting-oil spray can)

S-C 180-V ( for VMC )  
S-C 180-H ( for HMC )



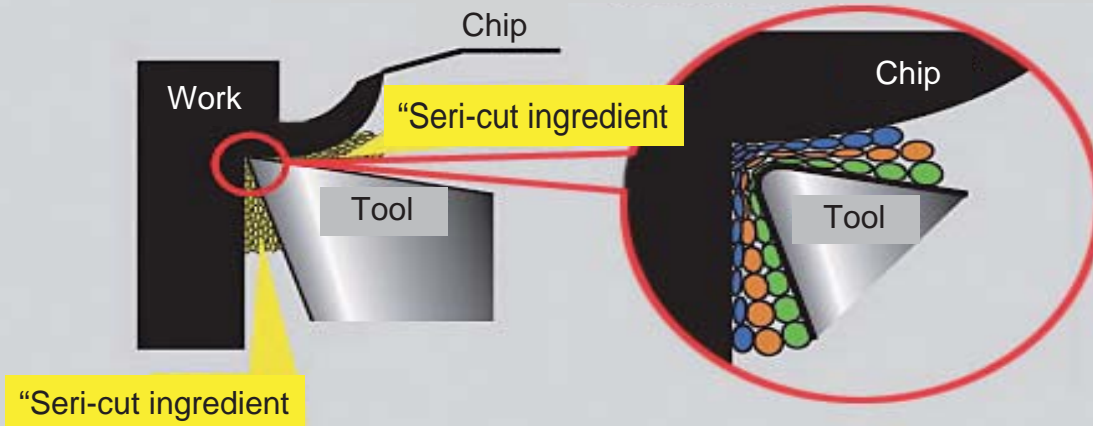
## Seri-cut Spray

(420 ml cutting-oil spray can)

S-C 420-M ( for VMC )  
S-C 420-H ( for HMC )

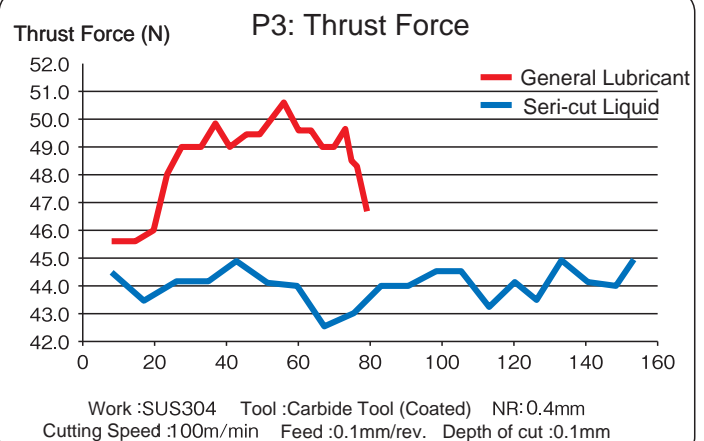
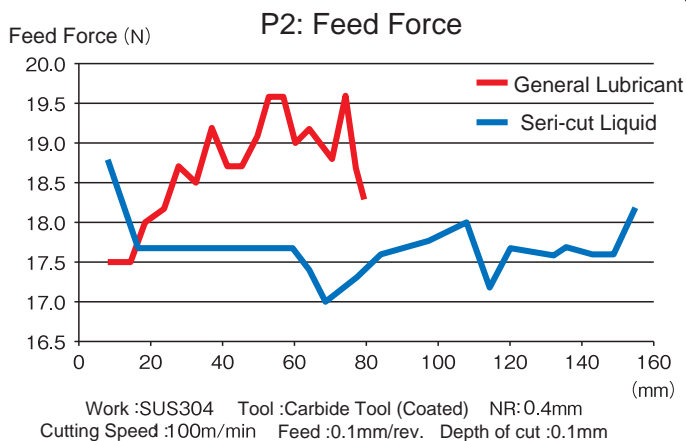
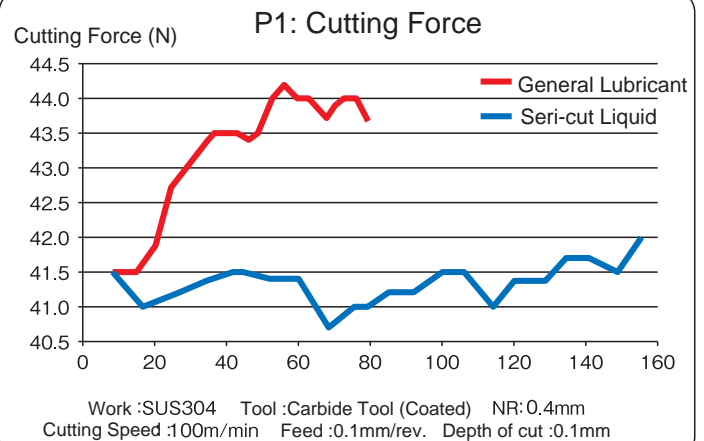
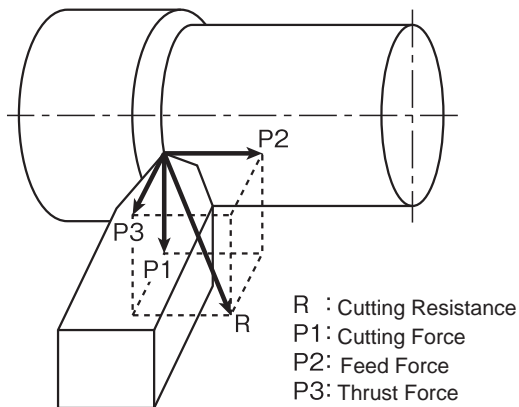
# Why is "Seri-cut" so effective for cutting ?

Nanosized Ceramics drastically helps to decrease cutting resistance !



Nanosized ceramics effectively reaches to the cutting point !

## The effect of "Seri-cut" use for lathe turning



**KATO Mfg. Co., Ltd.**

Head Office / Factory 2-65 Shin-machi, Hiratsuka, Kanagawa 254-0076 JAPAN  
 Phone : +81-(463)-36-1511 FAX : +81-(463)-36-1121